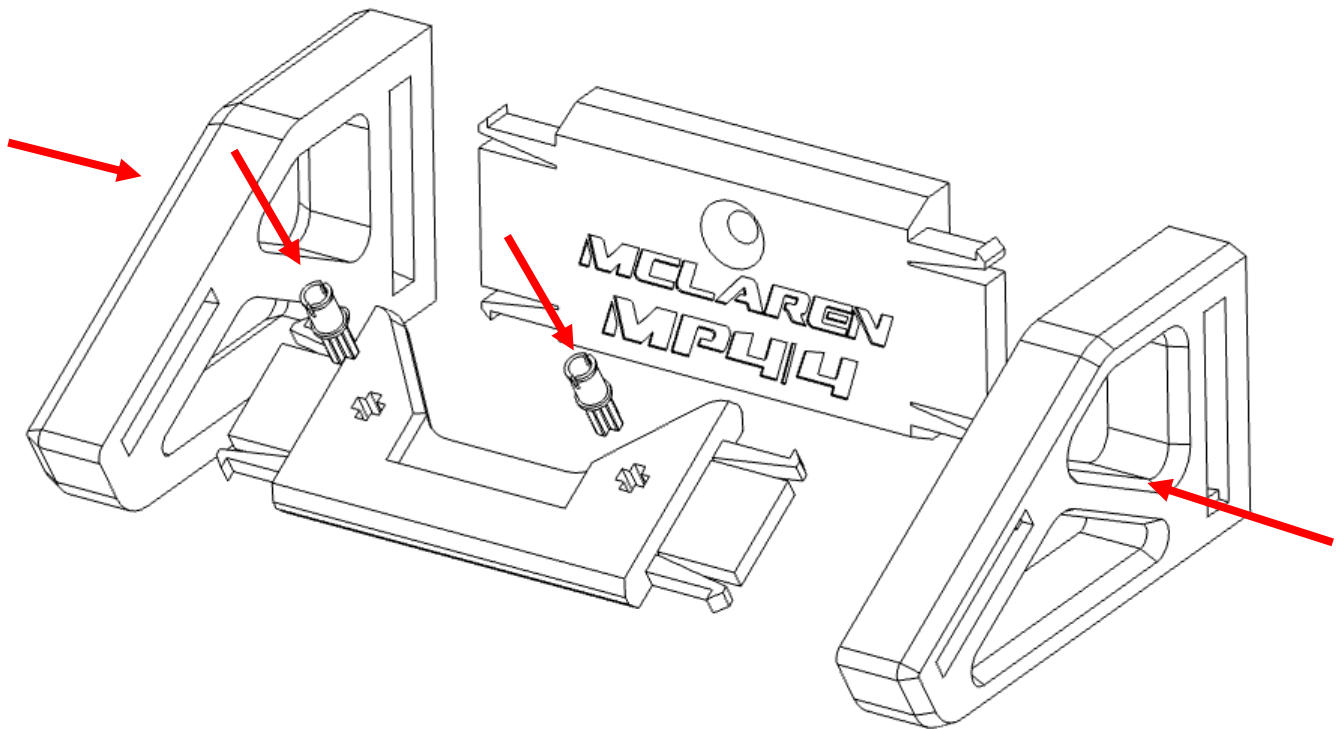
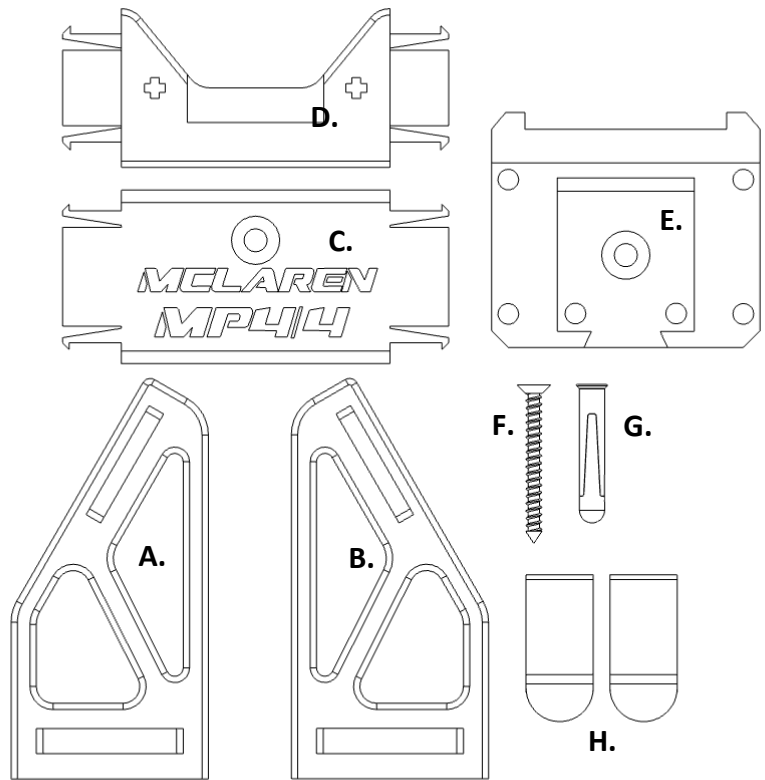


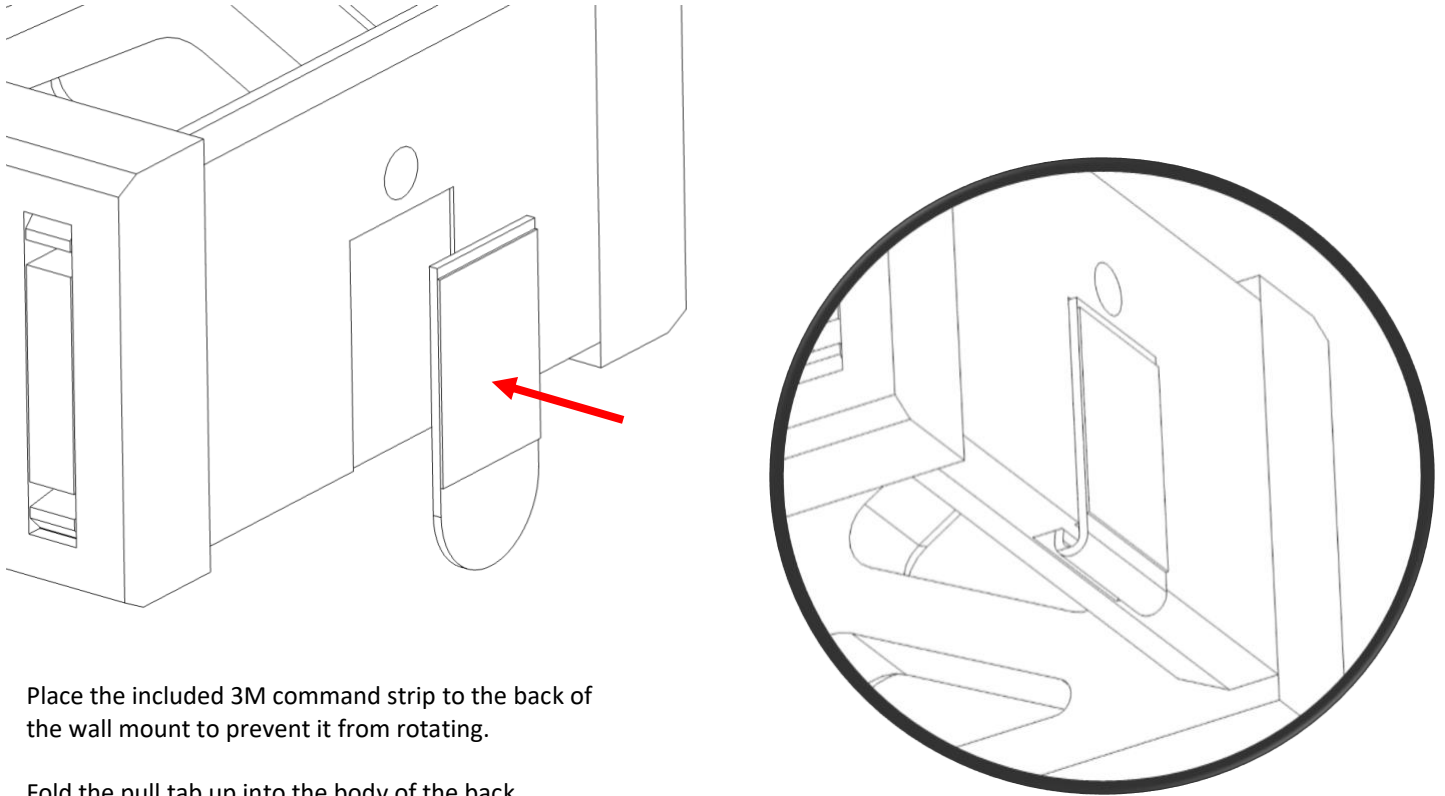
# Wall Mount Instructions For McLaren MP4/4 Senna – (10330)

- A. 1x Left Arm
- B. 1x Right Arm
- C. 1x Back Stretcher
- D. 1x Front Stretcher
- E. 1x Info card / minifigure mount
- F. 1x Wall screws
- G. 1x Wall plugs
- H. 2x 3M Command strip



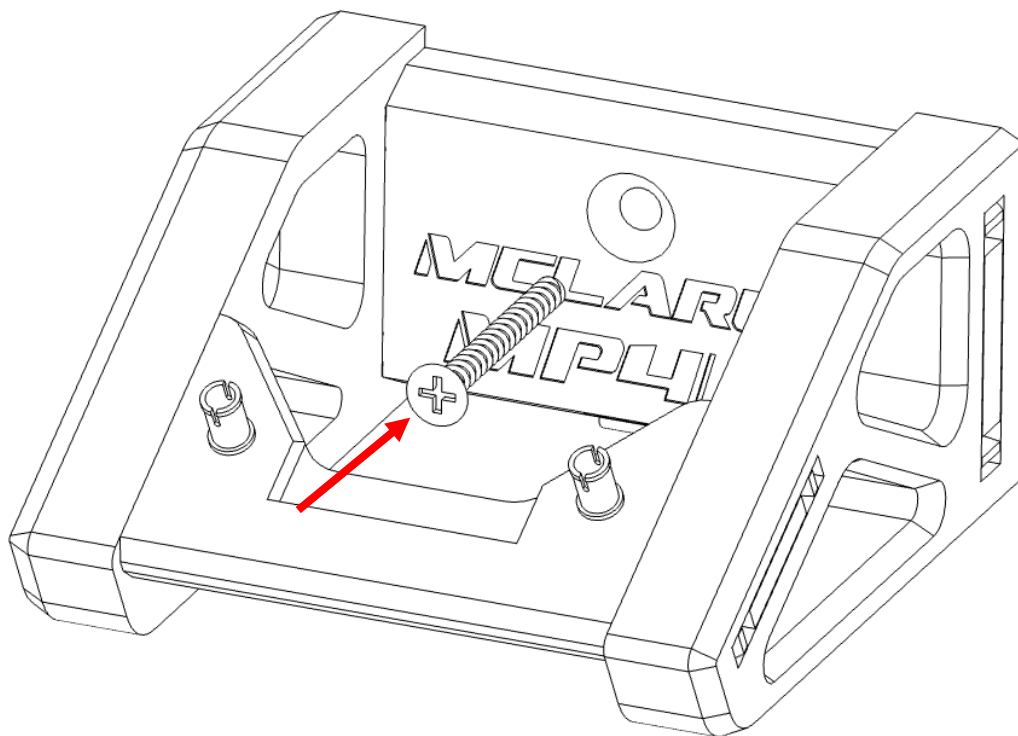
Please ensure the correct orientation of the stretchers and arms.  
Take the two blue technic connectors from the official Lego stand.

## Wall Mount Instructions For McLaren MP4/4 Senna – (10330)



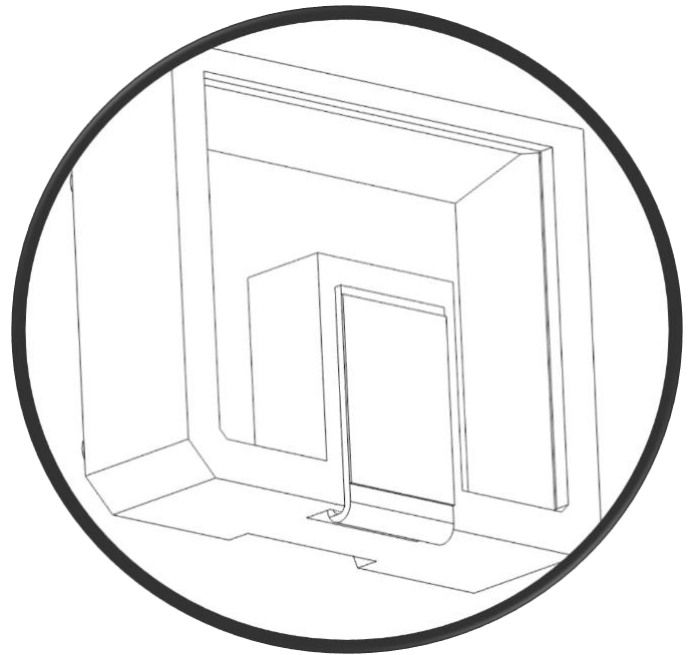
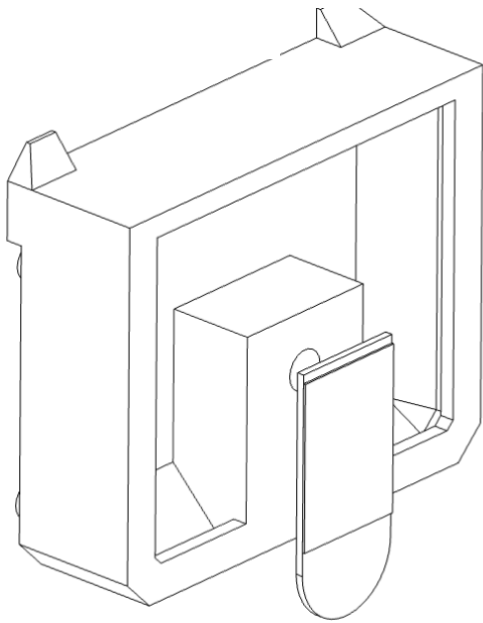
Place the included 3M command strip to the back of the wall mount to prevent it from rotating.

Fold the pull tab up into the body of the back stretcher



Install the screw into the back stretcher. Do not over tighten (use a screwdriver).

## Wall Mount Instructions For McLaren MP4/4 Senna – (10330)



Place the included 3M command strip to the back of the minifigure mount.

Fold the pull tab up into the body of the back stretcher

